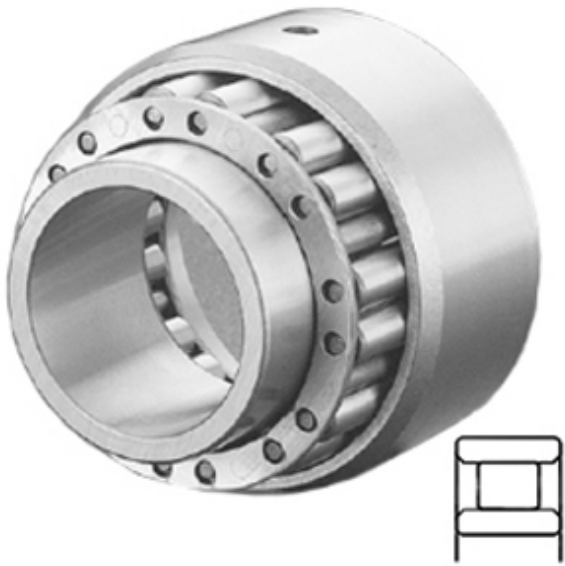




## ROLLWAY BEARING Sales Co., Ltd.



D-209-25 Bearing 2D drawings and 3D CAD models

1.772 Inch | 45 Millimeter x 3.346 Inch | 85  
Millimeter x 1.563 Inch | 39.7 Millimeter  
ROLLWAY BEARING D-209-25 Cylindrical  
Roller Bearings

Bearing No. D-209-25

Category	Cylindrical Roller Bearings
Inventory	0.0
Manufacturer Name	REGAL BELOIT
Minimum Buy Quantity	N/A
Weight	1.049
EAN	0637410015241
Product Group	B04144
Bore Profile	Straight
Cage Material	Steel
Precision Class	RBEC 1   ISO P0
Number of Rows of Rollers	Single Row
Separable	Inner/Outer Ring - Both Sides
Rolling Element	Cylindrical Roller Bearing
Profile	Complete with Outer and Inner Ring
Snap Ring	No
Internal Clearance	Not Applicable
Retainer	Yes
Relubricatable	Yes
Inch - Metric	Metric
Other Features	Journal Roller   Plain Inner and Outer Ring   Outer Ring with Oil Holes   Flush Ground End Roller Assembly



## ROLLWAY BEARING Sales Co., Ltd.

Long Description	45MM Bore; Straight Bore Profile; 85MM Outside Diameter; 39.7MM Width; Steel Cage Material; RBEC 1   ISO P0; Single Row; Inner/Outer Ring - Both Sides Separable; No Snap Ring; Relubricatable; Not App
Category	Cylindrical Roller Bearing
UNSPSC	31171547
Harmonized Tariff Code	8482.50.00.00
Noun	Bearing
Manufacturer URL	<a href="http://www.emerson-ept.com">http://www.emerson-ept.com</a>
Manufacturer Item Number	D-209-25
Manufacturer Internal Number	D20925
Weight / LBS	2.31
D	3.346 Inch   85 Millimeter
d	1.772 Inch   45 Millimeter
B	1.563 Inch   39.7 Millimeter